

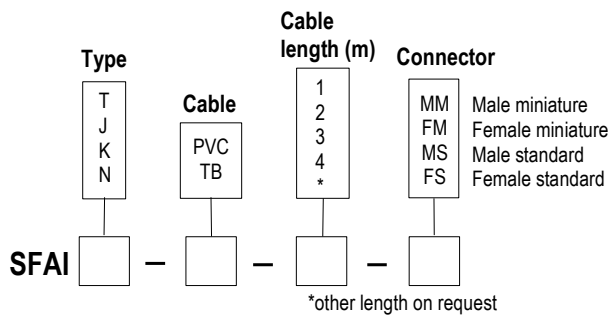
## Thermocouple probe with magnetic mounting and cable output.

### SFAI K

- Thermocouple types T, J, K or N.
- Measuring range : from -40°C to +220°C.
- Mounting with magnet.

#### Part number

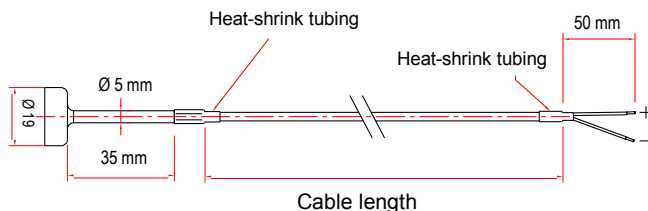
To order, just add the codes to complete the part number.



Example : SFAIK-PVC-1-MM

Model : Thermocouple type K with shielded PVC cable, 1m length finished with a miniature male connector.

#### Probe dimensions



#### Technical feature

**Working temperature**.....For shielded PVC cable from -40°C to +105°C  
For shielded Teflon cable from -40°C to +220°C

**Accuracy\* for class 1**.....See "Tolerances" table

**Welding mounting**.....Hot welding to the earth.

**Storage temperature**.....from -20°C to +80°C

**Response time**.....52 sec.

**Magnet**.....19 mm Ø, 8 mm height  
maximal traction : 3 kg  
other on request

**Storage temperature**.....from -20°C to +80°C

**Output**.....stripped wire, miniature plug or standard

#### Tolerances\* of the probe

As per IEC 584-3 norm

TC	Measuring range CLASS 1	TOLERANCE
T	From -40°C to +350°C	From -40°C to +125°C ± 0.5°C From 125°C to +350°C ± 0.004 x T° abs
J	From -40°C to +750°C	From -40°C to +375°C ± 1.5°C From 375°C to 750°C ± 0.004 x T° abs
K	From -40°C to +1000°C	From -40°C to +375°C ± 1.5°C From 375°C to 1000°C ± 0.004 x T° abs
N	From -40°C to +1000°C	From -40°C to +375°C ± 1.5°C From 375°C to 1000°C ± 0.004 x T° abs
S	From 0°C to +1600°C	From 0°C to +1100°C ± 1°C From 1100°C to 1600°C ± (1 + 0.003*(T°-1100))

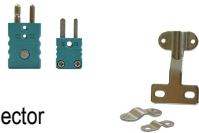
\* Performed in laboratory conditions, the above accuracies mentioned in this document will be guaranteed, provided that you use the calibration compensation data or identical calibration conditions.

## ■ Most common thermocouple types

THERMOCOUPLE TYPES	+ CONDUCTOR	- CONDUCTOR	COLOR OF COMPENSATING CABLE
K	Nickel-Chrome 10%	Nickel-Aluminium 5% -Silicium	Ext. color + = GREEN, - = WHITE
T	Copper	Copper-Nickel	Ext. color + = BROWN, - = WHITE
J	Fer	Copper-Nickel	Ext. color + = BLACK, - = WHITE
N	Nickel 84,4% Chrome 14,2% Silicium 1,4%	Nickel 95,6% Silicium 4,4%	Ext. color + = PINK, - = WHITE
R	Platinum-Rhodium 13%	Platinum	Ext. color + = ORANGE, - = WHITE
S	Platinum-Rhodium 10%	Platinum	Ext. color + = ORANGE, - = WHITE
B	Platinum-Rhodium 30%	Platinum-Rhodium 6%	Ext. color + = GREY, - = WHITE

## ■ Accessories (See data sheet)

- Extension cable
- Compensating cable
- Standard or miniature connector
- Cable seal for plug and socket connector



- Miniature or standard fixed connector
- Miniature or standard connectors panel
- Extension lead
- Converters



**electro-mation**  
... Luftmesstechnik

**ELECTRO-MATION GmbH**  
Münsterstr. 23-25  
22529 Hamburg  
GERMANY

Tel. 040 / 850-2320  
Fax 040/ 850-4114  
info@electro-mation.de  
www.electro-mation.de