

Thermocouple temperature probe with handle to prick

**SFPP K / SFPPC K
SFPPD K / SFPPCD K**

■ **Probe features**

- Pricking temperature probe mounted on straight or angled handle
- Thermocouple types T, J, K and N.
- Measuring range from **-40°C to +550°C**

■ **Technical features**

Working temperature.....from -40°C to +105°C for shielded PVC output
 from -40°C to +260°C for TB output
 from -40°C to +400°C for SVB output
 from -40°C to +550°C for SVB (Tc K only) output

Accuracy for 1.....See "Tolerances"

Mounting of welding.....Insulated hot welding

Storage temperature.....from -20°C to +80°C

Outputstripped wires, miniature male connector or standard on request.

Mounting of cable output.....Output on cable or with stainless steel flexible 7 mmØ .
 Water-resistant flexible on request as option.
 Curve spring as option (unless stainless steel flexible output)

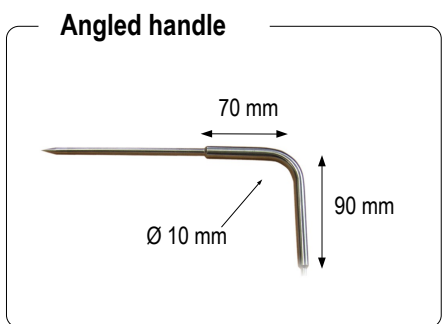
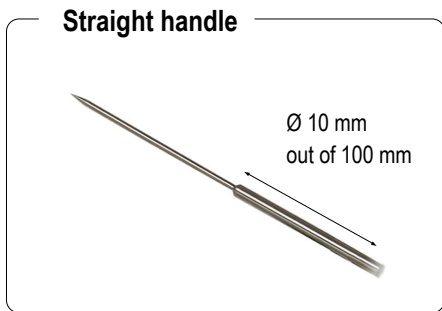
Contact tip.....4.5 or 6 mm Ø in 316 L stainless steel

Tapered tip

Handle : **Straight** 10 mm Ø and 100 mm length

Angled at 90° and 90 mm length

Other on request.

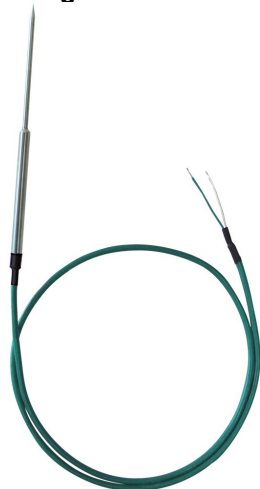


Water-resistant as option for use in wet or submerged places.

SFPPK & SFPPKD

Pricking cable probe with handle

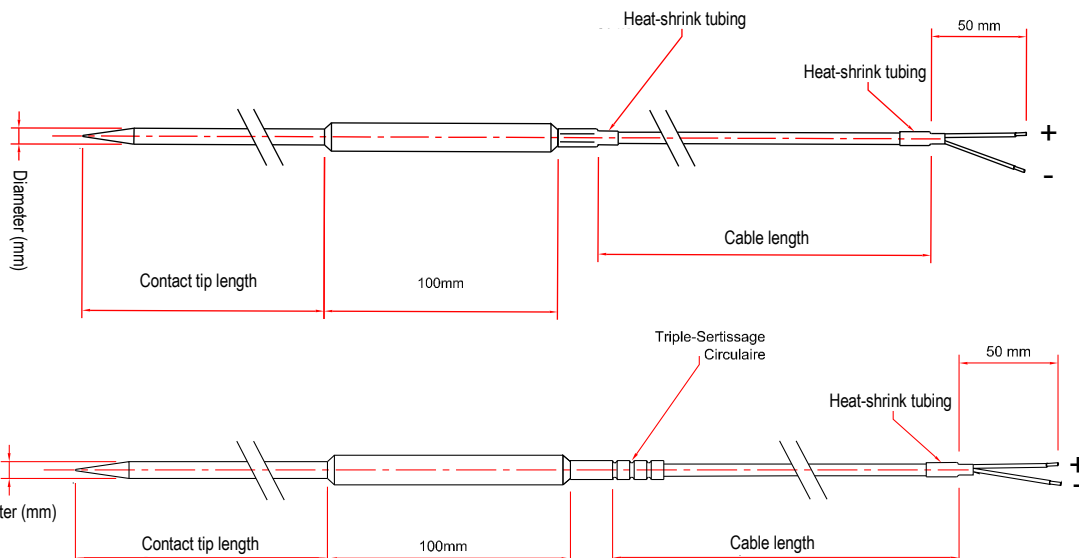
• Probe with straight handle on cable



• Probe with straight handle on flexible

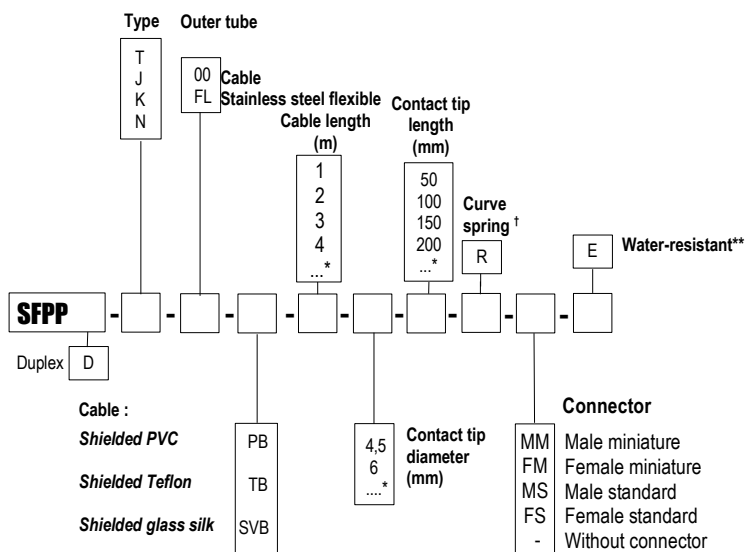


■ Dimensions



Optional :
water-resistant

■ Part numbers



Example : SFPPK-00-TB-1-45-100-MM

Model : Thermocouple type K temperature probe, Outer tube in shielded Teflon cable of 1 m length. Stainless steel contact tip 4,5 mm Ø, to prick with straight handle of 100 mm length, without curve spring. **Measuring range from -40 to +105°C.**

* Other dimension on request

† No curve spring on flexible output FL

** E for submerged use according to use rules

SFPPCK & SFPPCKD

Pricking cable probe with angled handle

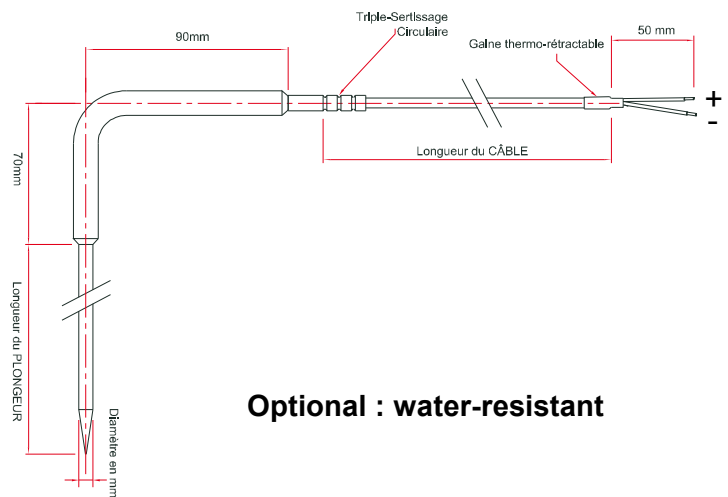
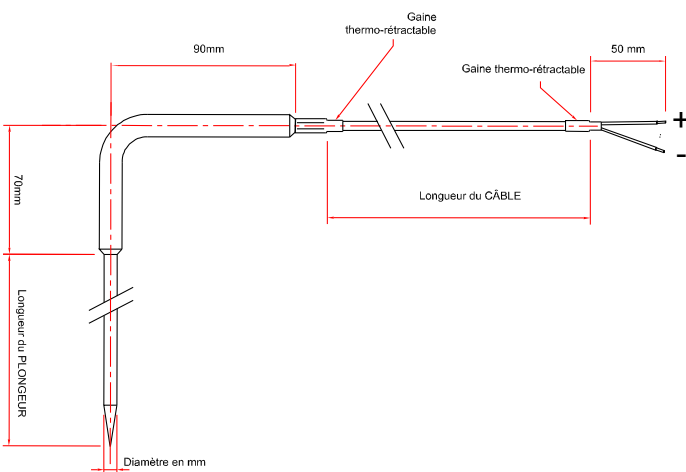
• Probe with angles handle on cable



• Probe with angled handle on flexible

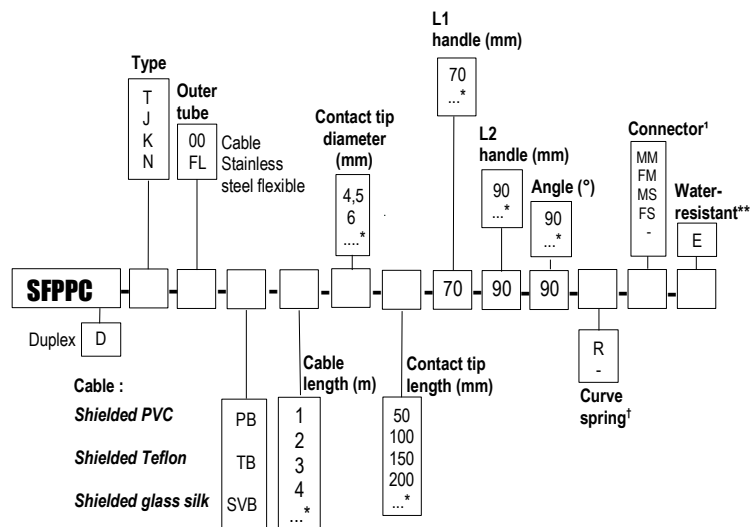


■ Dimensions



Optional : water-resistant

■ Part numbers



Example : SFPPCK-00-TB-1-45-100-70-90-90-R-MM

Model : Thermocouple type K temperature probe, outer tube in shielded Teflon cable of 1 m length with male miniature connector. Stainless steel contact tip 4,5 mm Ø and 100 mm length to prick with angled handle of L1 length 70mm and L2 length 90 mm, angle of the handle at 90°, with curve spring.

Measuring range from -40 to +105°C.

* Other dimension on request

† No curve spring on flexible output FL
** E for submerged use according to use rules

¹ MM: Male miniature
FM: Female miniature
MS: Male standard
FS: Female standard
-: Without connector

■ Tolerances of the probe

TC	MEASURING RANGE CLASS 1	TOLERANCE
T	From -40°C to +350°C	From -40°C to +125°C $\pm 0.5^\circ\text{C}$ From 125°C to +350°C $\pm 0.004 \times T^\circ\text{abs}$
J	From -40°C to +750°C	From -40°C to +375°C $\pm 1.5^\circ\text{C}$ From 375°C to 750°C $\pm 0.004 \times T^\circ\text{abs}$
K	From -40°C to +1000°C	From -40°C to +375°C $\pm 1.5^\circ\text{C}$ From 375°C to 1000°C $\pm 0.004 \times T^\circ\text{abs}$
N	From -40°C to +1000°C	From -40°C to +375°C $\pm 1.5^\circ\text{C}$ From 375°C to 1000°C $\pm 0.004 \times T^\circ\text{abs}$

■ Most common thermocouple types

THERMOCOUPLE TYPE	+ CONDUCTOR	- CONDUCTOR	COLOR OF COMPENSATING CABLE
K	Nickel-Chrome 10%	Nickel-Aluminium 5% -Silicium	Ext. color + = GREEN, - = WHITE
T	Copper	Copper-Nickel	Ext. color + = BROWN, - = WHITE
J	Iron	Copper-Nickel	Ext. color + = BLACK, - = WHITE
N	Nickel 84,4% Chromium 14,2% Silicium 1,4%	Nickel 95,6% Silicium 4,4%	Ext. color + = PINK, - = WHITE
R	Platinum-Rhodium 13%	Platinum	Ext. color + = ORANGE, - = WHITE
S	Platinum-Rhodium 10%	Platinum	Ext. color + = ORANGE, - = WHITE
B	Platinum-Rhodium 30%	Platinum-Rhodium 6%	Ext. color + = GREY, - = WHITE

■ Accessories (See data sheet)

- Extension cable
- Compensating cable
- Standard or miniature connector
- Cable seal for plug and socket connector
- Miniature or standard connectors panel
- Miniature or standard connectors panel
- Extension lead
- Converters



electro-mation
... Luftmesstechnik

ELECTRO-MATION GmbH
Münsterstr. 23-25
22529 Hamburg
GERMANY

Tel. 040 / 850-2320
Fax 040/ 850-4114
info@electro-mation.de
www.electro-mation.de