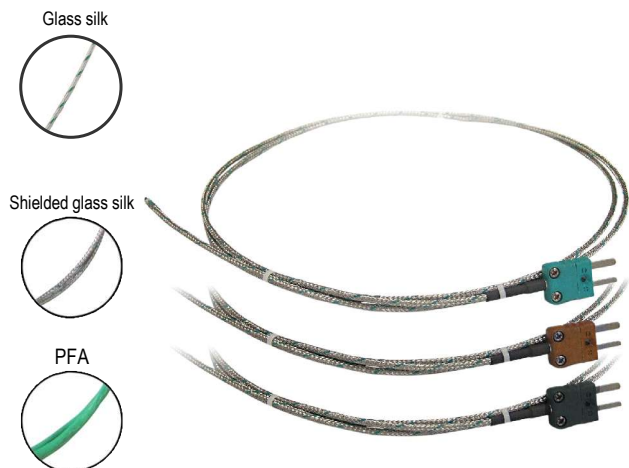


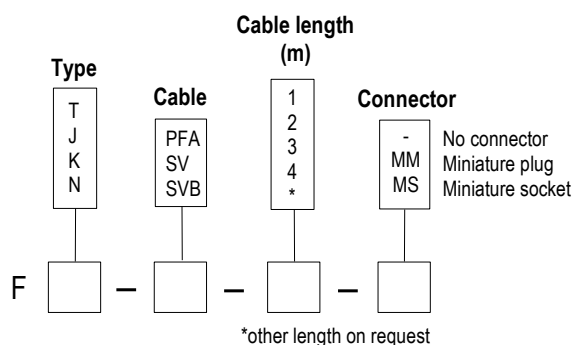
## Thermocouple probe with cable and visible welding

### FT / FJ / FK

- Thermocouple types T, J, K or N.
- Thermocouple with short reponse time.
- Measuring range from **-40°C to +400°C**.
- Singlepair mounting with choice of cable.



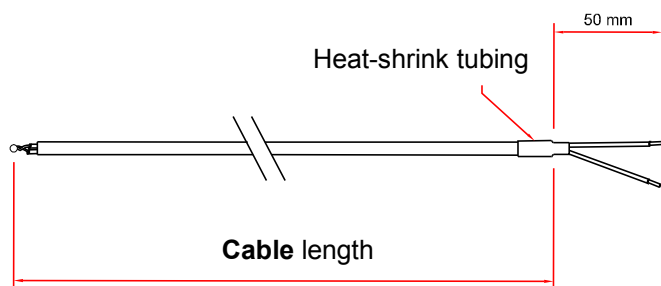
#### Part number



**Example : FT-PFA-2-MM**

**Model :** Thermocouple type T with glass silk cable, 2m long and with a miniature plug output.

#### Probe dimensions



#### Technical feature

**Operating temperature**.....PFA cable : from -40°C to +250°C

(TCK / TCJ / TCT / TCN)

Glass silk cable : from -40°C to +400°C

(For TCT : from -40°C to +350°C)

**Accuracy for class 1**.....See "Tolerances" table

**Storage temperature**.....from -20°C to +80°C

**Class 1 thermocouple**.....PFA cable : Teflon®

SV cable : Glass silk

SVB cable : Shielded glass silk

**Output** .....stripped wire, miniature plug or standard on request.

#### Tolerances

TC	Measuring range CLASS 1	TOLERANCE
T	From -40°C to +350°C	From -40°C to +125°C ± 0.5°C From 125°C to +350°C ± 0.004 x T°
J	From -40°C to +750°C	From -40°C to +375°C ± 1.5°C From 375°C to 750°C ± 0.004 x T°
K	From -40°C to +1000°C	From -40°C to +375°C ± 1.5°C From 375°C to 1000°C ± 0.004 x T°
N	From -40°C to +1000°C	From -40°C to +375°C ± 1.5°C From 375°C to 1000°C ± 0.004 x T°

## ■ Most common thermocouple types

THERMOCOUPLE TYPES	+ CONDUCTOR	- CONDUCTOR	COLOR OF COMPENSATING CABLE
K	Chromel	Alumel	Ext. color + = GREEN, - = WHITE
T	Copper	Constantan	Ext. color + = BROWN, - = WHITE
J	Iron	Constantan	Ext. color + = BLACK, - = WHITE
N	Nicrosil	Nisil	Ext. color + = PINK, - = WHITE
R	Platinum-13% Rhodium	Platinum	Ext. color + = ORANGE, - = WHITE
S	Platinum-10% Rhodium	Platinum	Ext. color + = ORANGE, - = WHITE
B	Platinum-30%Rhodium	Platinum- 6%Rhodium	Ext. color + = GREY, - = WHITE

## ■ Accessories (See Datasheet)

- Extension cable
- Compensating cable
- Standard or miniature connector
- Cable seal for plug and socket connector
- Miniature or standard fixed connector
- Miniature or standard connectors panel
- Extension lead
- Converters

